

Stands

Comparison measuring instruments which ensure high quality, high accuracy and reliability.

SERIES 7 — Magnetic Stands

- Mitutoyo's Magnetic Stands accept all dial indicators and dial test indicators (with stem $\varnothing 6$ or $\varnothing 8$) and clamp to iron or steel surfaces with a strong magnetic force.
- **7014**, **7031**, **7032** and **7033B** have a dovetail groove.



7010-10



7011-10



7012-10



7014

(without ON/OFF switching of magnetic clamping)



7033B

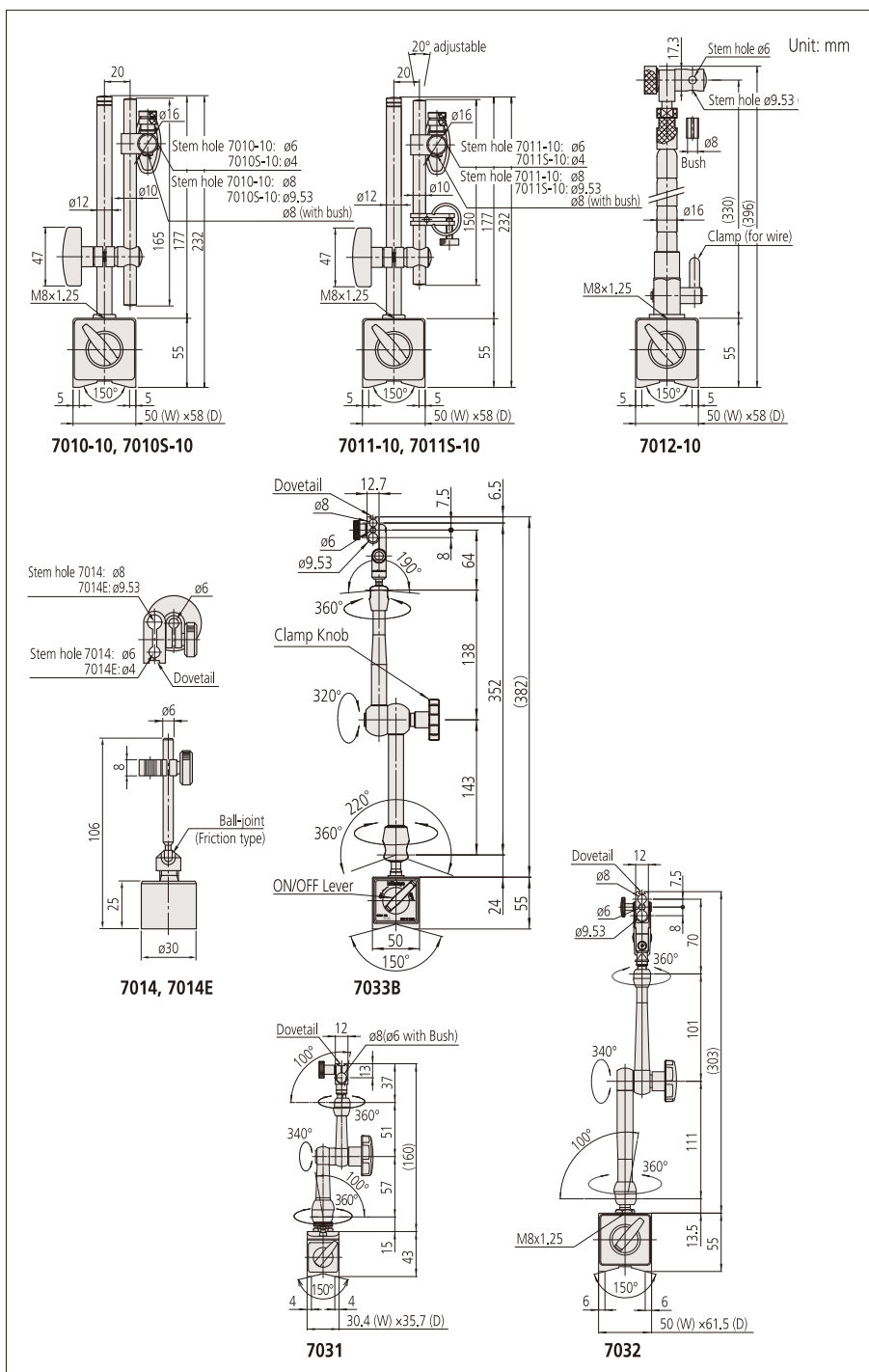


7031



7032

DIMENSIONS



SPECIFICATIONS

| Order No. | Description | Applicable holding stem dia. | Dovetail groove | Remarks |
|-----------|--------------------------|-------------------------------------------------|-----------------|--------------------------------|
| 7010-10 | Magnetic stand | $\phi 6$ mm, $\phi 8$ mm | — | — |
| 7010S-10 | Magnetic stand | $\phi 4$ mm, $\phi 8$ mm, $\phi 9.53$ mm (3/8") | — | — |
| 7011-10 | Magnetic stand | $\phi 6$ mm, $\phi 8$ mm | — | With fine adjustment |
| 7011S-10 | Magnetic stand | $\phi 4$ mm, $\phi 8$ mm, $\phi 9.53$ mm (3/8") | — | With fine adjustment |
| 7012-10 | Magnetic stand | $\phi 6$ mm, $\phi 8$ mm, $\phi 9.53$ mm (3/8") | — | — |
| 7014 | Mini magnetic stand | $\phi 6$ mm, $\phi 8$ mm | Provided | Without magnet ON/OFF |
| 7014E | Mini magnetic stand | $\phi 4$ mm, $\phi 9.53$ mm (3/8") | Provided | Without magnet ON/OFF |
| 7033B | Universal magnetic stand | $\phi 6$, $\phi 8$ mm, $\phi 9.53$ mm (3/8") | Provided | With mechanical locking system |
| 7031 | Universal magnetic stand | $\phi 6$, $\phi 8$ mm | Provided | With mechanical locking system |
| 7032 | Universal magnetic stand | $\phi 6$, $\phi 8$ mm, $\phi 9.53$ mm (3/8") | Provided | With mechanical locking system |